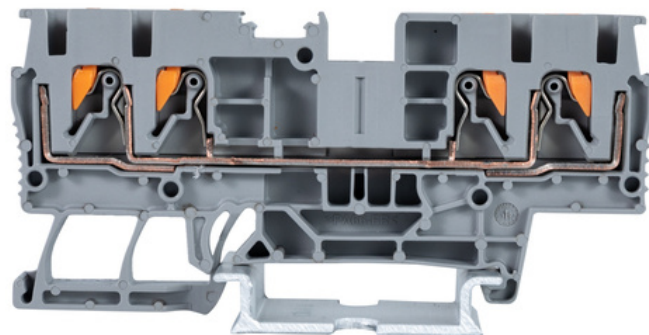


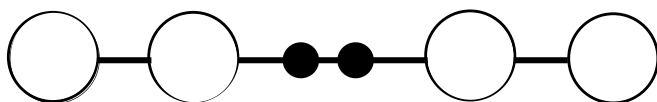


# Bloque terminal 38A 800V JPT 4-QU- BU

1012.079



4 conductor



## Características

Bloque terminal de doble nivel , PA66, 76A 500V, conexión de tornillo.

- Dimensiones: 78.7 mm (alto), 6.2 mm (ancho), 38 mm (profundidad)
- Corriente de operación: 38A
- Voltaje de operación: 800V
- Sección solida transversal: 0.50mm<sup>2</sup>-6.00mm<sup>2</sup>
- No. de conductores: 4
- Color: Gris
- Tipo de montaje: Riel din

## Contáctanos

-  (55)79477137
-  cotizaciones@spsinergia.com
-  Maria Luisa Martínez 139,  
Morelia Michoacán. CP 58150



# C E R T I F I C A T E

## ANNEX of Certificate No: M.2020.206.C8655

Product Brand/Model/Type : JUK2.5N/-BU, JUK2.5B/-BU, JUK3N/-BU, JUK5N/-BU, JUK6N/-BU, JUK10N/-BU, JUK16N/-BU, JUK35N/-BU, JUKH50/-BU, JUKH95/-BU, JUKH150/-BU, JUKH240, JUSLKG2.5, JUSLKG3, JUSLKG5, JUSLKG6, JUSLKG10, JUSLKG16, JUSLKG35, JUSLKG50, JUKK5-PE, JUISLKG16, JUISLKG35, JUIK16/-BU, JUIK35/-BU, JURTK/S/-BU, JMTK-P/P, JUK5-MTK-P/P, JUKK3/-BU, JUKK5/-BU, JUKK5-PV, JUKKB-3/-BU, JUKKB-5/-BU, JUDK4/-BU, JUDK10/-BU, JMBKKB2.5, JMBKKB2.5-PV, JDIK1.5, JDIK1.5-LA, JDIKD1.5/-BU, JDIKD1.5-PV, JUK5-HESI, JUK10-DREHSI, JMBK3/E-Z/-BU, JMBK5/E-Z, JMBK6/E, JMBK3/E-Z-PE, JMBK5/E-Z-PE, JST1.5/-BU, JST2.5/-BU, JST4/-BU, JST6/-BU, JST1.5-PE, JST2.5-PE, JST4-PE, JST6-PE, JST2.5-TW, JST4-TW, JSTTB2.5, JST2.5-QU, JPT1.5/-BU/-PE, JPT2.5/-BU/-PE, JPT2.5-TW/-BU/-PE, JPT2.5-QU/-BU/-PE, JPTTB2.5/-BU/-PE, JPTTB2.5-PV/-BU, JPT4/-BU/-PE, JPT4-TW/-BU/-PE, JPT4-QU/-BU/-PE, JPTTB4/-BU/-PE, JPTTB4-PV/-BU, J260, J261, J262, JSK2.5EN, JSK4EN, JSK6EN, JSK10EN, JSK16EN, JSK35EN, JSK70/35, JKD4QV/35, JKD4Q/35, JWTL6/1STB, JSK-4/15, JSK1EN, JEK2.5/35, JEK4/35, JEK6/35, JEK10/35, JEK16/35, JEK35/35, JXB-2.5/35/-BU, JXB-4/35/-BU, JXB-6/35/-BU, JXB-10/35/-BU, JXB-16/35/-BU, JXB-35/35/-BU, JXB-70/35, JXB-4/35 S1, JXB-4/35 S1Z, JWTL6/1, JXB-RD, JXB-4/15, UA311T, UA312T, UA313T, UA314T, UN10, UN10K, UN10W, UN15, UN15K, UN10L, UN10LW, UN15L, UN30, UN30K, UN40, UN40K, UN50, UN50K, UN75, UN30L, UN40L, UN50L, UN10SX, UN100, UN150, UN10S, UD15, UD15L, UD15F, UN200BW-3P, UN200BK-3P, UN300BW-3P, UN300BK-3P, UN400BW-3P, UN400BK-3P, UN600BK-3P, UN600BW-3P, LTB-10A-2P/3P/6P/10P, LTB-20A-2P/3P/6P/10P, LTB-20A-12P/15P/20P, LTB-30A-3P/4P/6P, LTB-30A-10P/12P, LTB-100A-3P, LTB-100A-4P, LTB-150A-3P, LTB-150A-4P, JAKG4, JAKG16, JAKG35, SKG4, SKG16, SKG35, LP4-35, LPG4-35, JSB-1(20A), JKS4-S1, JTRK10/2 10/3, JTSZB4, PDB160.01/-BU/-PE, PDB160.03, SCHK3S, SCHK5S, RPH18, JKLM-A, B1, B2, E/JMK1, E/JUK, E/AL-NS35, JEW35, JEW15, NS15/5.5, NS35/7.5, NS35/15, NS32, NSL35/7.5, NSL35/15, NSL30/15, NS-2, NS-3, TSTW

UDEM International Certification  
Auditing Training Centre Industry  
and Trade Inc. Co.

The validity of the certificate can be checked through [www.udemltd.com.tr](http://www.udemltd.com.tr). The CE mark shown on the right can only be used under the responsibility of the manufacturer with the completion of EC Declaration of Conformity for all the relevant Directives. This certificate remains the property of UDEM International Certification Auditing Training Centre Industry and Trade Co. Ltd. to whom it must be returned upon request. The above named firm must keep a copy of this certificate for 15 years from the registration of certificate. This certificate only covers the product(s) stated above and UDEM must be noticed in case of any changes on the product(s)



**Address:** Mutlukent Mahallesi 2073 Sokak (Eski 93 Sokak) No:10 Çankaya – Ankara – TURKEY  
**Phone:** +90 0312 443 03 90 **Fax:** +90 0312 443 03 76  
**E-mail:** [info@udemltd.com.tr](mailto:info@udemltd.com.tr) [www.udem.com.tr](http://www.udem.com.tr)