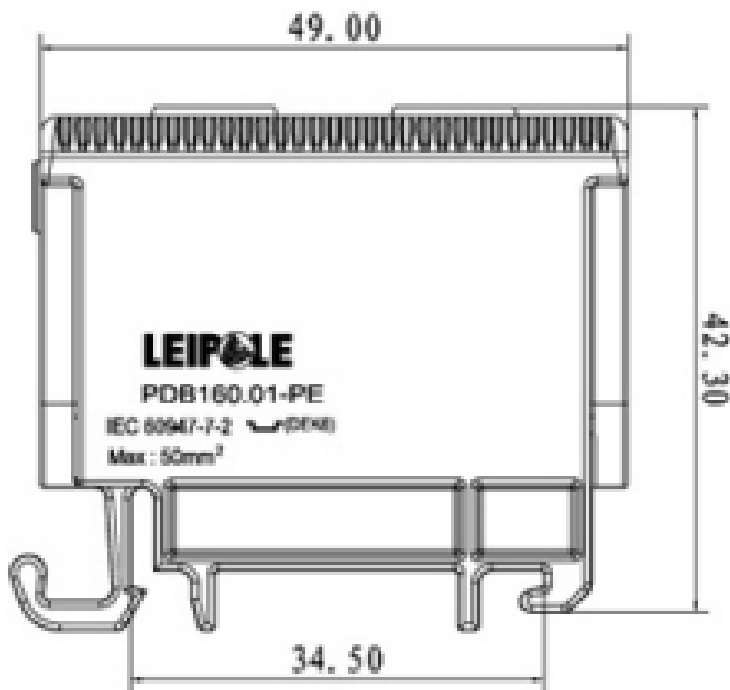




Bloque terminal, PDB 160.01-PE

5012.142






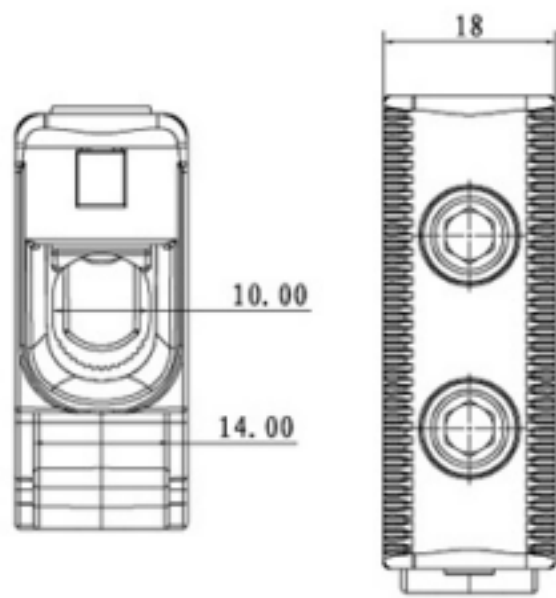
Características

Bloque terminal, PA66, sección transversal Cu 2.5-50m m2, sección transversal Al 6-50m m2

- Dimensiones: 49 mm (alto), 18 mm (ancho), 42.30 mm (profundidad)
- POLO: 1
- CABEZA DE TORNILLO: HEXAGONAL
- CU: 2.5-50 mm2
- AL: 6-50 mm2
- Clase de protección: IP20
- TEMPERATURA DE FUNCIONAMIENTO: 80°C

Contáctanos

-  (55)79477137
-  cotizaciones@spsinergia.com
-  Maria Luisa Martínez 139,
Morelia Michoacán. CP 58150





C E R T I F I C A T E

ANNEX of Certificate No: M.2018.201.N5029

Product Brand/Model/Type : UN30K,UN40,UN40K,UN50,UN50K,UN75,UN30L,UN40L,UN50L,

UN10SX,UN100,UN150,UN10S,UD15,UD15L,UD15F,UN200BW-3P,

UN200BK-3P,UN300BW-3P,UN300BK-3P,UN400BW-3P,UN400BK-3P,

UN600BK-3P,UN600BW-3P,LTB-10A-2P/3P/6P/10P,

LTB-20A-2P/3P/6P/10P,LTB-20A-12P/15P/20P,LTB-30A-3P/4P/6P,

LTB-30A-10P/12P,LTB-100A-3P,LTB-100A-4P,LTB-150A-3P,

LTB-150A-4P,JAKG4,JAKG16,JAKG35,SKG4,SKG16,SKG35,LP4-35,

LPG4-35,JSB-1(20A),JKS4-S1,JTRK10/2 10/3,JTSZB4,

PDB160.01/-BU/-PE,PDB160.03,SCHT3S,SCHT5S,RPH18,

JKLM-A,B1,B2,E/JMK1,E/JUK,E/AL-NS35,JEW35,JEW15,

NS15/5.5,NS35/7.5,NS35/15,NS32,NSL35/7.5,NSL35/15,

NSL30/15,NS-2,NS-3,TSTW

UDEM International Certification
Auditing Training Centre Industry
and Trade Inc. Co.

The validity of the certificate can be checked through www.udemltd.com.tr. The CE mark shown on the right can only be used under the responsibility of the manufacturer with the completion of EC Declaration of Conformity for all the relevant Directives. This certificate remains the property of UDEM International Certification Auditing Training Centre Industry and Trade Co. Ltd. to whom it must be returned upon request. The above named firm must keep a copy of this certificate for 15 years from the registration of certificate. This certificate only covers the product(s) stated above and UDEM must be noticed in case of any changes on the product(s)

Address: Mutlukent Mahallesi 2073 Sokak (Eski 93 Sokak) No:10 Çankaya – Ankara – TURKEY

Phone: +90 0312 443 03 90 **Fax:** +90 0312 443 03 76

E-mail: info@udemltd.com.tr www.udem.com.tr

