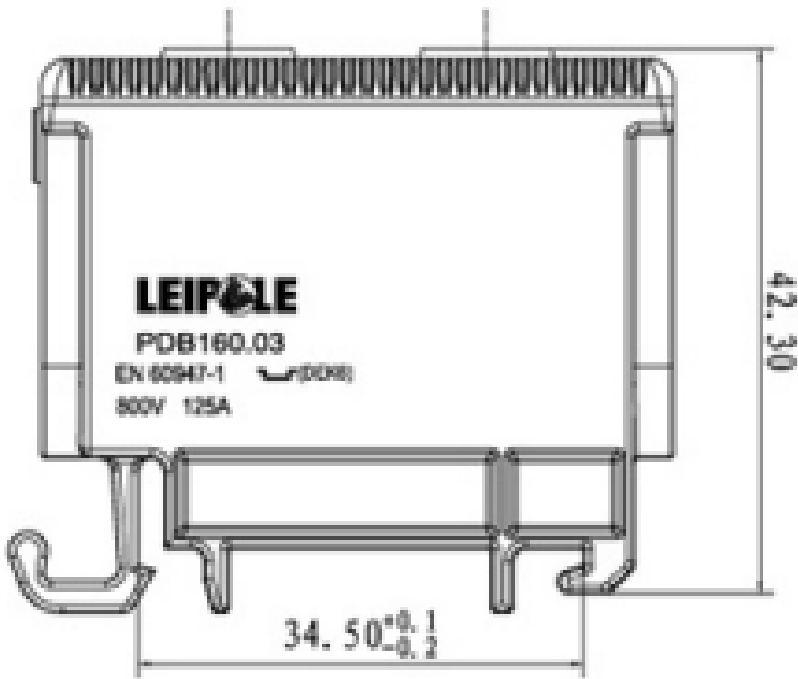




Bloque terminal, 125A 800V, PDB160.03 5012.143



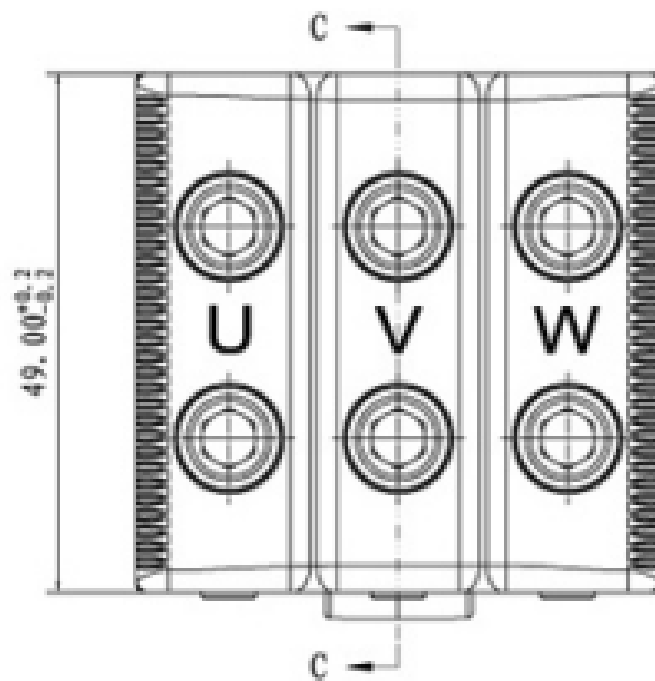
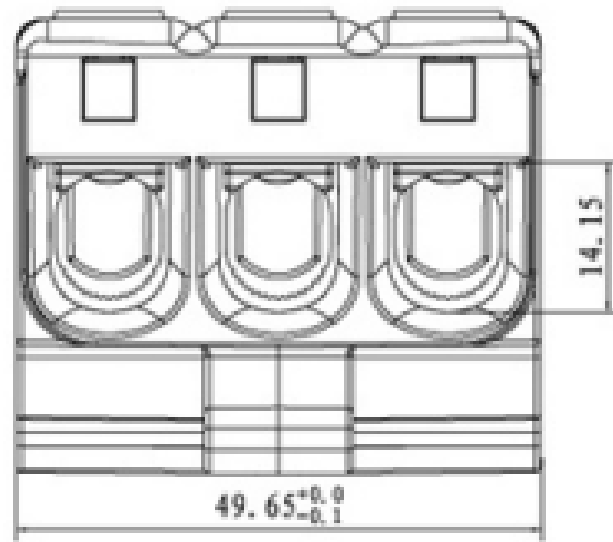
Características

Bloque terminal, 125A 80V, PA66, Cu
2.5-5 mm², Al 6-50mm²

- Dimensiones: 49 mm (alto), 49.65 mm (ancho), 42.30 mm (profundidad)
- Voltaje de operación: 800V (IEC)
- Corriente de operación: 125 A

Contáctanos

- (55)79477137
- cotizaciones@spsinergia.com
- Maria Luisa Martínez 139,
Morelia Michoacán. CP 58150





CERTIFICATE

ANNEX of Certificate No: M.2018.201.N5029

Product Brand/Model/Type : UN30K,UN40,UN40K,UN50,UN50K,UN75,UN30L,UN40L,UN50L,

UN10SX,UN100,UN150,UN10S,UD15,UD15L,UD15F,UN200BW-3P,

UN200BK-3P,UN300BW-3P,UN300BK-3P,UN400BW-3P,UN400BK-3P,

UN600BK-3P,UN600BW-3P,LTB-10A-2P/3P/6P/10P,

LTB-20A-2P/3P/6P/10P,LTB-20A-12P/15P/20P,LTB-30A-3P/4P/6P,

LTB-30A-10P/12P,LTB-100A-3P,LTB-100A-4P,LTB-150A-3P,

LTB-150A-4P,JAKG4,JAKG16,JAKG35,SKG4,SKG16,SKG35,LP4-35,

LPG4-35,JSB-1(20A),JKS4-S1,JTRK10/2 10/3,JTSZB4,

PDB160.01/-BU/-PE,PDB160.03,SCHT3S,SCHT5S,RPH18,

JKLM-A,B1,B2,E/JMK1,E/JUK,E/AL-NS35,JEW35,JEW15,

NS15/5.5,NS35/7.5,NS35/15,NS32,NSL35/7.5,NSL35/15,

NSL30/15,NS-2,NS-3,TSTW

UDEM International Certification
Auditing Training Centre Industry
and Trade Inc. Co.

The validity of the certificate can be checked through www.udemltd.com.tr. The CE mark shown on the right can only be used under the responsibility of the manufacturer with the completion of EC Declaration of Conformity for all the relevant Directives. This certificate remains the property of UDEM International Certification Auditing Training Centre Industry and Trade Co. Ltd. to whom it must be returned upon request. The above named firm must keep a copy of this certificate for 15 years from the registration of certificate. This certificate only covers the product(s) stated above and UDEM must be noticed in case of any changes on the product(s)

Address: Mutlukent Mahallesi 2073 Sokak (Eski 93 Sokak) No:10 Çankaya – Ankara – TURKEY

Phone: +90 0312 443 03 90 **Fax:** +90 0312 443 03 76

E-mail: info@udemltd.com.tr www.udem.com.tr

